

UD4 / UDT

FEATURES

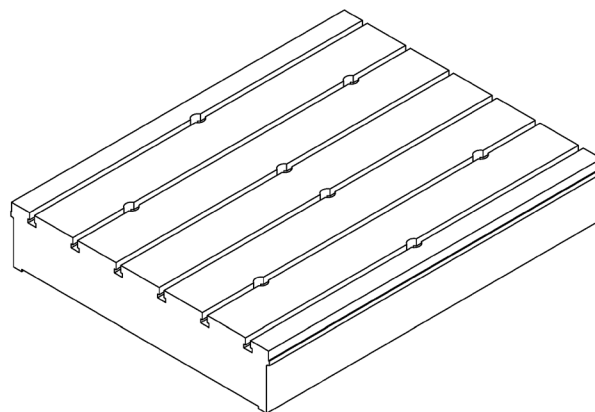
UD4/UDT clamping plates are optional accessories for the RET10P and HP100 floor type horizontal boring and milling machines.

A clamping plate is a device used for workpiece clamping.

You can create large clamping fields by combining several clamping plates. Clamping fields can be created by using clamping plates of the same type only.

Clamping plates or clamping fields enable clamping of extra large and heavy workpieces or further accessories such as clamping tables, angle plates, cubes, devices etc.

The clamping plate is solidly anchored in the concrete foundation using anchoring material similarly to the actual machine.



MAIN PARAMETERS

Designation	UD4C	UD4D	UDT				
	2420	4020	2000	3000	4000	2000	3000
Clamping surface length	2420	4020	2000	3000	4000	2000	3000
Clamping surface width	1875		1485			1985	
Clamping plate width	1885		1495			1995	
Height	400		300				
Hardness of functional surfaces	190 ± 20 HB						
Loading capacity	45 t	80 t	10 t/m ²				
Clamping slot width	36 H12						
Clamping slot pitch	315		250				
Clamping slot amount	6		6			8	
Weight [kg]	5000	8200	2700	3950	5350	3500	5000

BRIEF TECHNICAL DESCRIPTION

UD4/UDT clamping plates are high-quality gray iron castings (422420) with reinforcement ribs for high stiffness. The plates' clamping surfaces have T-slots.

STANDARDLY DELIVERED ACCESSORIES

- Anchoring material
- Tool kit