

UK500 – UK3000

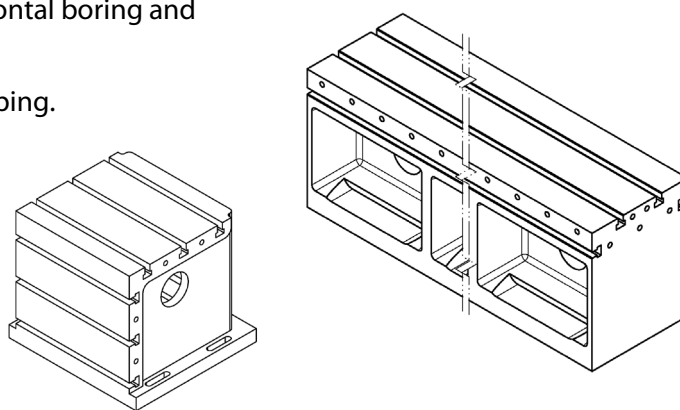
FEATURES

UK clamping cubes are optional accessories for horizontal boring and milling machines.

A clamping cube is a device used for workpiece clamping.

The clamping is performed on the machine's main clamping surface (table or clamping plate).

UK clamping cubes are fastened via T-slots and standardized clamping claws manually using lifting devices.



MAIN PARAMETERS

Depending on the size, are offered two clamping cube versions – see illustrations/standards.

Designation	UK500	UK500	UK1000	UK1500	UK2000	UK2500	UK3000
Version (standard)	PN 243230	NPP 225					
Hardness of functional surfaces	190 ± 10 HB						
Loading capacity [kg/0,25m ²]	12000	15000					
Clamping slot width	22 H12						
Clamping slot pitch	160						
Clamping slot amount	3+3	2+1+1					
Thread holes	M20						
Height	500						
Width of clamping/foot surface	500 / 560	500	1000	1500	2000	2500	3000
Depth of clamping/foot surface	480 / 530	400					
Weight [kg]	300	400	800	1200	1600	2000	2400

BRIEF TECHNICAL DESCRIPTION

UK500 – UK3000 clamping cubes are high-quality gray iron castings with reinforcement ribs for high stiffness.

The cubes' clamping surfaces have T-slots and thread holes.

GEOMETRIC ACCURACY

During clamping, it is necessary to align the UK in order to obtain the required geometric accuracy.

Geometric accuracy can be improved by finishing the clamping cube directly on the machine on which it will be used.