

## MT03

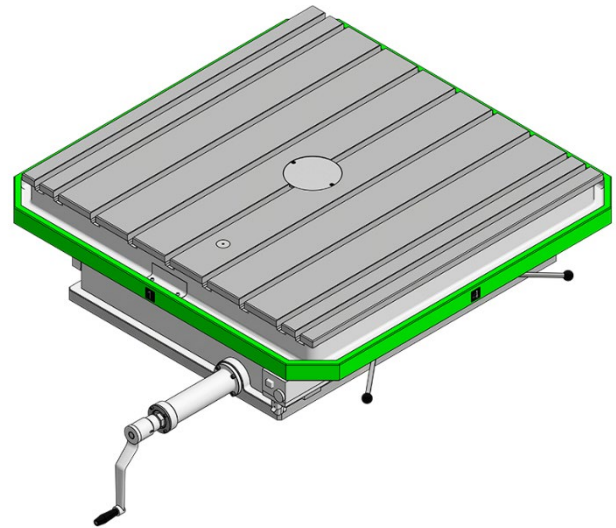
### FEATURES

MT03 rotary table is an optional technological accessory for the RET10P and HP100 floor type horizontal boring and milling machines.

This rotary table is used as a secondary horizontal clamping surface for workpiece clamping and angular positioning in vertical axis. Table positioning is performed manually.

The clamping is performed on the main machine clamping surface (clamping plate).

MT03 rotary table is set with a lifting device and fastened via T-slots and standardized clamps manually.



### MAIN PARAMETERS

Table clamping surface	1250 x 1250	mm x mm
	1500 x 1500	mm x mm
Width of T-slots	22 H8	mm
Table loading capacity – 1250 x 1250	3000	kg
Table loading capacity – 1500 x 1500	2500	kg
Centering hole diameter	180 H6 /10	mm
Table drive ratio	1,41	deg / rev
Voltage	230	V
Table weight	1800	kg
Basic dimensions – length	1800	mm
Basic dimensions – width	1400 / 1650	mm
Basic dimensions – height	400	mm

## BRIEF TECHNICAL DESCRIPTION

Main components are high-quality grey iron castings with reinforcement ribs for high stiffness.

### TRAVELLING GROUPS

- 1 nonlinear axis – B – table rotation

### KINEMATICS

- hand crank
- it can be driven by using a hand drill with a driving bit
- gear set + ring gear

### GROUP GUIDANCE

- guideways of the rotary table are scraped

### LUBRICATION

- lubrication of the kinematics and the guideways is derived from the rotation of the driving shaft – pump
- central lubrication, connection to the lubrication system of the machine (optional)

### CLAMPING

- manually by levers

### POSITION MEASUREMENT

- PZI version – preparation for additional installation of rotary encoder and DRO
- 4x90° optical readout
- HEIDENHAIN position measurement (optional) – incremental rotary encoder + ND 280 DRO

## CE – VALID ONLY FOR THE EUROPEAN UNION

- the table is supposed to be integrated into the safety system of the technological site (machine) according to the applicable legislation and technical standards

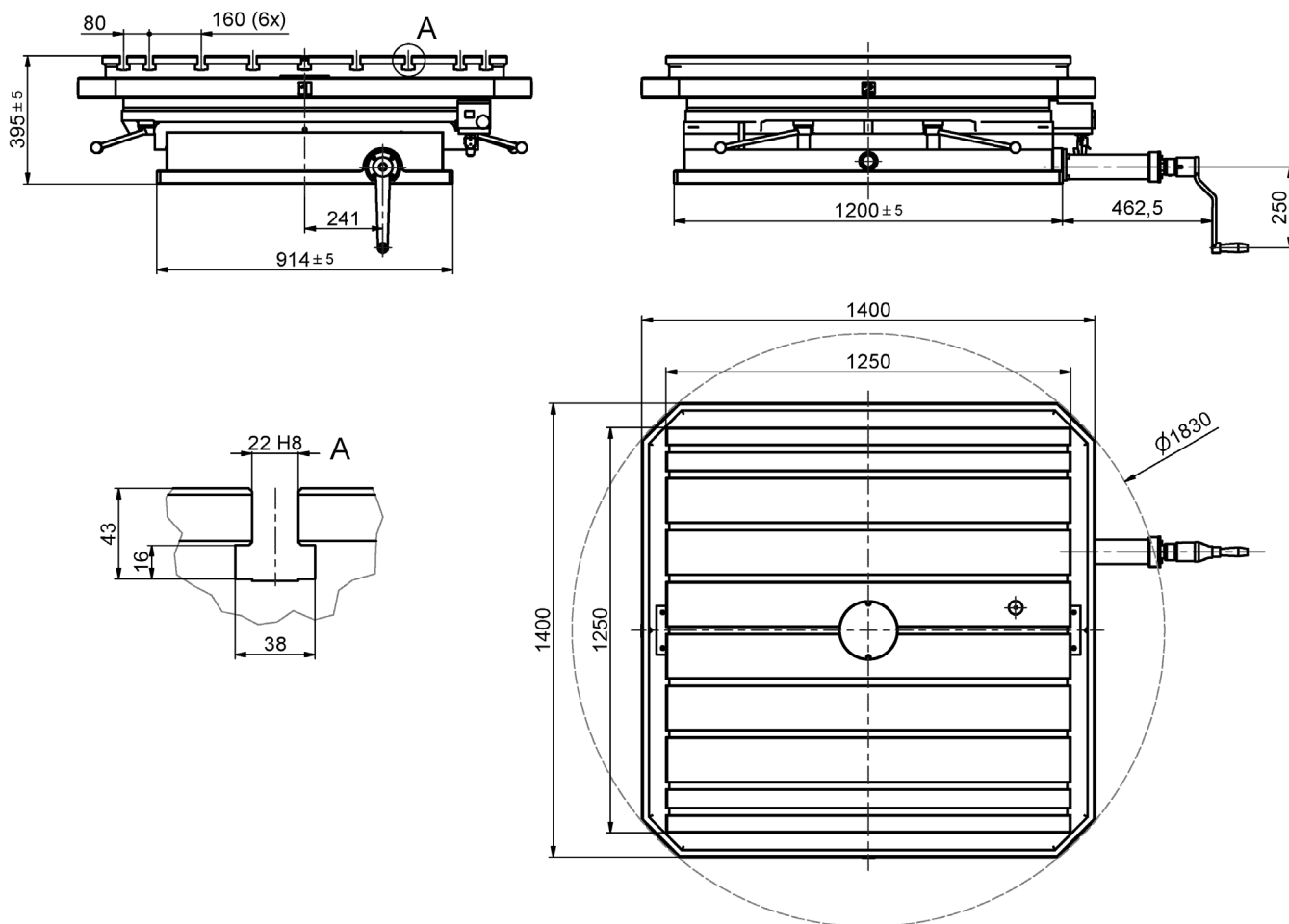
## STANDARDLY DELIVERED ACCESSORIES

- basic tool kit for operation and maintenance
- basic spares kit
- accompanying technical documentation including an operating manual

## OPTIONAL ACCESSORIES

- UK500, UK1000 clamping cube
- UU800, UU950, UU1120 clamping angle plates
- spares kit for 3-year operation

**DIMENSIONAL DRAWING**



- design can be customized